



S43-WS Roll-Up Window Screen

Technical Specification Guide

Model S43-WS

Min/Max Width 450 / 2100mm

Cassette Size (H x D) 57 x 43mm

Side Channel Size (W x D) 30x22mm
40x 22mm

Min/Max Drop 350 / 2500mm

Features:

The vertical roll-up window screen includes child safe spring control with advanced speed reducer Brake ensuring smooth operation allowing screen to gently retract back into cassette housing to protect mesh. Durable powder coated aluminium cassette housing with brushed side channels. Concealed locking catches. Inset recess or frontal face fixing brackets. Standard flame-retardant rot-proof PVC coated Fibreglass 18/16 Charcoal mesh locked into barrel and pull-bar closing profile.

Benefits:

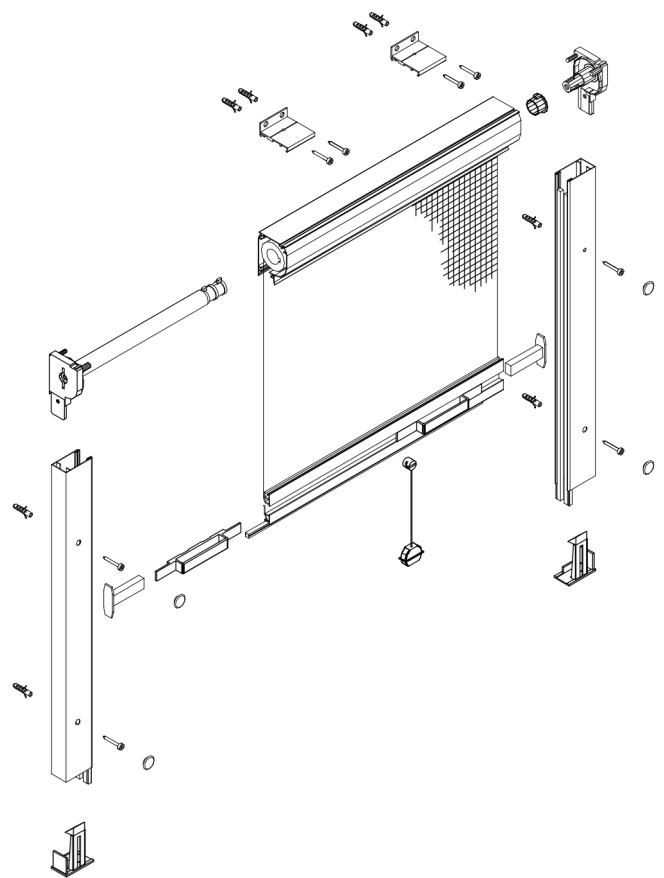
Eco-friendly and chemical-free way to provide protection against flying insects. The roll-up system also provides excellent fresh air ventilation, helps to reduce UV glare and will not obscure your view. Neatly retracts back into cassette housing to protect mesh when not required. Discreet, stylish low profile 43mm cassette housing will compliment a wide range of residential & commercial interiors. Suitable for most window types including casement & sash. Child safe design with no looped strings or cords. Easy to use, maintain and suitable for internal or external use. Manufactured using high grade components ensuring trouble free consistent performance. Complete range of spares available. All screens prepped and pre-drilled for fast installation.

Specification:

S43-WS retractable roll-up window insect screen with child safe spring control with advanced speed reducer Brake inside 43mm cassette housing. Standard PVC handles or option of full width reinforced handle to improve look & performance. Standard 40mm or non-standard 30mm brushed side channels. Inset recess (5mm) or frontal (15mm) face fixing brackets. Standard flame-retardant rot-proof PVC coated Fibreglass 18/16 Charcoal mesh. Standard White RAL 9010 powder coated frame. Full bespoke made-to-measure service.

Options (additional costs):

Screens over 1200mm wide recommended to have full width reinforced handle. Intermediate stops available (screen can be closed in two set positions). Stainless-steel spring for external or coastal environments. Magnetic bottom channel available subject to width: height limitations. Optional mesh types including 20/30 Midge mesh and 16/17 High resistance mesh. Hardware available in any custom RAL colour.



Mesh Options

Maximum Height

Standard 18/16 Mesh

2500mm

Midge 20/30 Mesh

1700mm

High Resistance 16/17 Mesh

1400mm

**All retractable screens designed for keeping out flying insects only.
Not suitable for use as pet protection screens for dogs or cats (regardless of mesh type).**



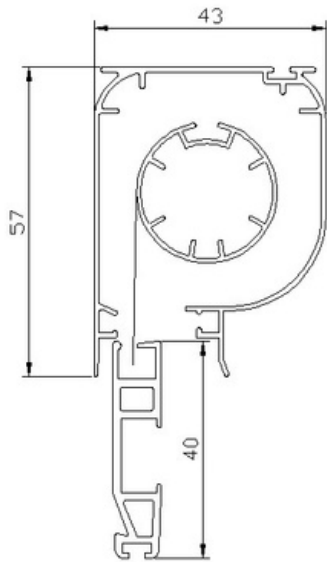


S43-WS Roll-Up Window Screen

Profiles & Sizes

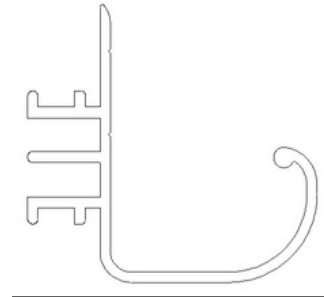
01-10260-2-3 / 01-10020-4-0 / 01-10010-2-3

System 43-G Cassette and Pull Bar Profile



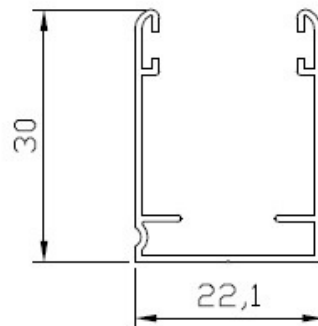
01-06200-2-3

System 43 Reinforced Pull-Bar Handle Profile 21 x 27mm



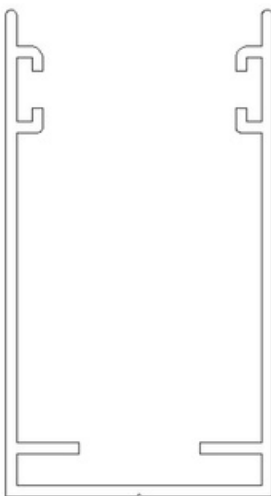
01-02050-2-3

Side Guide Channel 30 x 22mm



01-02000-2-3

Side Guide Channel 40 x 22mm



01-06140-2-3

Frontal/Side Profile with Magnets P/N - 22 x 24 13mm

