

S43-SDS Roll-Aside Single Door Screen

Technical Specification Guide

Model S43-SDS

Min/Max Width	600 / 1400mm	Cassette Size (H x D)	57 x 43mm	Bottom Channel Size (W x D)	22 x 22mm
Min/Max Drop	1200 / 2400mm	Top Channel Size (W x D)	40 x 22mm	Magnetic Channel (W x D)	24 x 22mm

Features:

The single roll-aside horizontal retractable door screen includes one side fitted cassette that locks into full-height magnetic closing channel with brushed top & bottom guide channels to provide complete seal. Child safe spring control design. Includes speed reducer Brake to ensure smooth operation and allows screen to retract safely back into cassette housing to protect mesh. Durable powder coated aluminium cassette housing. Inset recess or frontal face fixing brackets. Standard flame-retardant rot-proof PVC coated Fibreglass 18/16 Charcoal mesh locked into barrel and pull-bar closing profile.

Benefits:

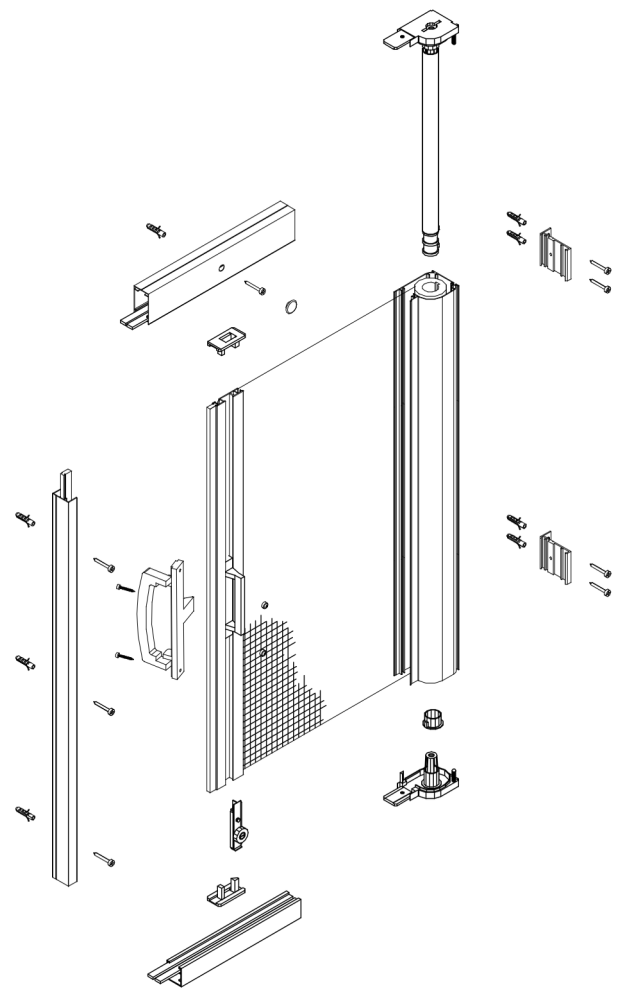
Eco-friendly and chemical-free way to provide protection against flying insects. The roll-aside system also provides excellent fresh air ventilation, helps to reduce UV glare and will not obscure your view. Neatly retracts back into cassette housing when not required. Discreet, stylish low profile 43mm cassette housing will compliment a wide range of residential applications and suitable for most modern door types. Child safe with no strings or cords. Easy to use, maintain and suitable for internal or external use. Manufactured using high grade components ensuring trouble free consistent performance. Complete range of spares available. All screens prepped and pre-drilled for fast installation.

Specification:

S43-SDS single roll-aside horizontal retractable door insect screen with child safe combined spring & speed reducer Brake mechanism inside 43mm cassette housing. Standard PVC handles or option of full-height reinforced handle to improve look & performance. Top 40mm & Bottom 22mm brushed guide channels. Inset recess (5mm) or frontal (15mm) face fixing brackets. Standard flame-retardant rot-proof PVC coated Fibreglass 18/16 Charcoal mesh. Standard White RAL 9010 powder coated frame. Full bespoke made-to-measure service.

Options (additional costs):

Screens over 2000mm high recommended to have full height reinforced handle. Stainless-steel spring for external or coastal environments. Optional mesh types including 20/30 Midge mesh and 16/17 High resistance mesh. Hardware available in any custom RAL colour.



Mesh Options	Maximum Width
Standard 18/16 Mesh	1400mm
Midge 20/30 Mesh	1400mm
High Resistance 16/17 Mesh	1400mm

**All retractable screens designed for keeping out flying insects only.
Not suitable for use as pet protection screens for dogs or cats (regardless of mesh type).**



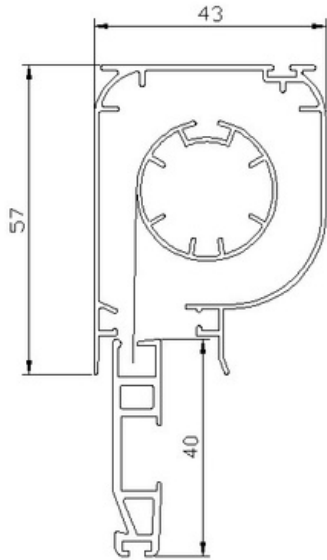


S43-SDS Roll-Aside Single Door Screen

Profiles & Sizes

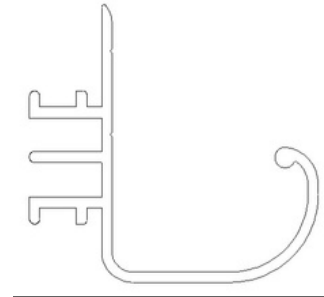
01-10260-2-3 / 01-10020-4-0 / 01-10010-2-3

System 43-G Cassette and Pull Bar Profile



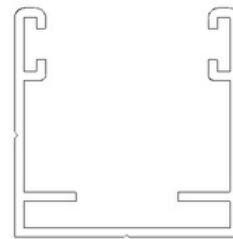
01-06200-2-3

System 43 Reinforced Pull-Bar Handle Profile 21 x 27mm



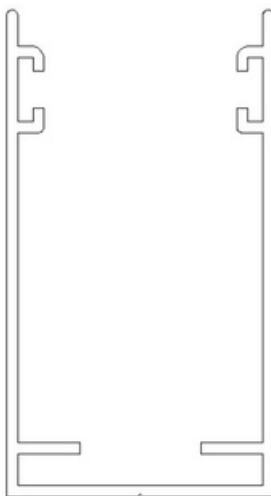
01-02011-2-3

Reinforced Bottom Guide 22 x 22mm



01-02000-2-3

Side Guide Channel 40 x 22mm



01-06140-2-3

Frontal/Side Profile with Magnets P/N - 22 x 24 13mm

