

S43-DDS Roll-Aside Double Door Screen

Technical Specification Guide

Model S43-DDS

Min/Max Width	900 / 2800mm	Cassette Size (H x D)	57 x 43mm	Bottom Channel Size (W x D)	22 x 22mm
Min/Max Drop	1200 / 2400mm	Top Channel Size (W x D)	40 x 22mm	Magnetic Channel (W x D)	24 x 22mm

Features:

The double roll-aside horizontal retractable door screen has two cassettes (one each side) that meet in centre and held closed with full height strip magnets. Brushed top & bottom guide channels provide complete seal. Spring loaded integral shoot-bolts allow one side of screen to be held in half-way position. Child safe spring control design. Includes speed reducer Brake to ensure smooth operation and allows each screen to retract safely back into cassette housing to protect mesh. Durable powder coated aluminium cassette housing. Frontal face fixing brackets only. Standard flame-retardant rot-proof PVC coated Fibreglass 18/16 Charcoal mesh locked into barrel and pull-bar closing profile.

Benefits:

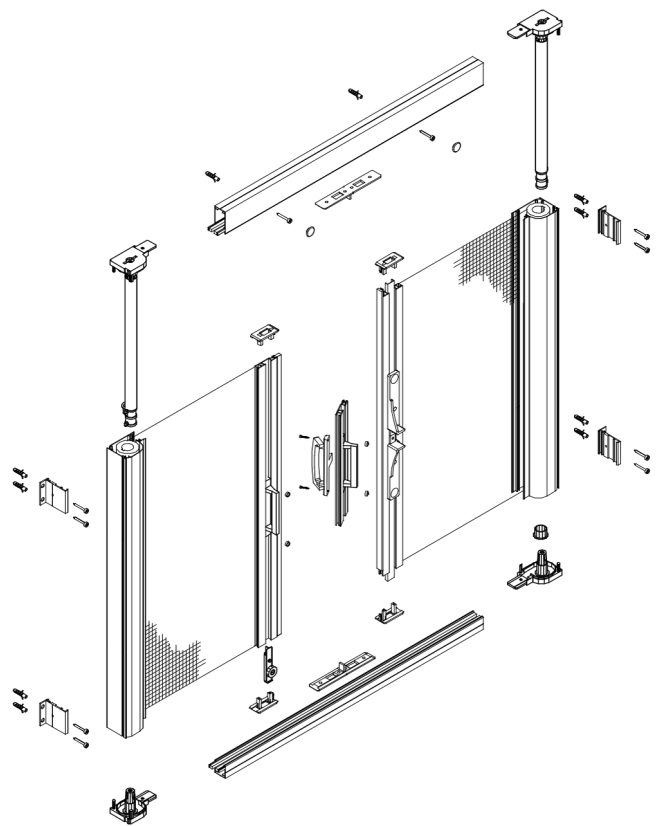
Eco-friendly and chemical-free way to provide protection against flying insects. The roll-aside system also provides excellent fresh air ventilation, helps to reduce UV glare and will not obscure your view. Neatly retracts back into cassette housing when not required. Discreet, stylish low profile 43mm cassette housing will compliment a wide range of residential applications and suitable for most modern French doors. Child safe with no strings or cords. Easy to use, maintain and suitable for internal or external use. Manufactured using high grade components ensuring trouble free consistent performance. Complete range of spares available. All screens prepped and pre-drilled for fast installation.

Specification:

S43-DDS double roll-aside horizontal retractable door insect screen with child safe combined spring & speed reducer brake mechanism inside 43mm cassette housing. Standard PVC handles or option of full-height reinforced handle to improve look & performance. Spring loaded integral shoot-bolts allow one side of screen to be held in half-way position. Top 40mm & Bottom 22mm brushed guide channels. Frontal (15mm) face fixing brackets only (fitted to each cassette). Standard flame-retardant rot-proof PVC coated Fibreglass 18/16 Charcoal mesh. Standard White RAL 9010 powder coated frame. Full bespoke made-to-measure service.

Options (additional costs):

Screens over 2000mm high recommended to have full height reinforced handle. *Additional magnetic 22x24mm closing channel for flying mullion (allows one half of screen to be used only). Stainless-Steel spring for external or coastal environments. Optional mesh types including 20/30 Midge mesh and 16/17 High resistance mesh. Hardware available in any custom RAL colour.



Mesh Options

Maximum Width (Each Cassette)

Standard 18/16 Mesh	1400mm
Midge 20/30 Mesh	1400mm
High Resistance 16/17 Mesh	1400mm

**All retractable screens designed for keeping out flying insects only.
Not suitable for use as pet protection screens for dogs or cats (regardless of mesh type).**

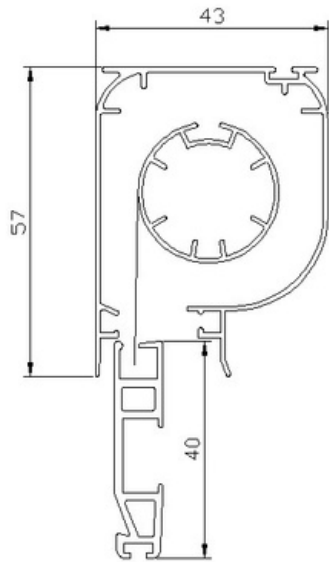




S43-DDS Roll-Aside Double Door Screen Profiles & Sizes

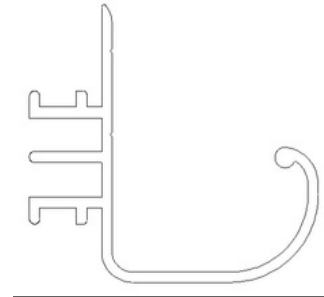
01-10260-2-3 / 01-10020-4-0 / 01-10010-2-3

System 43-G Cassette and Pull Bar Profile



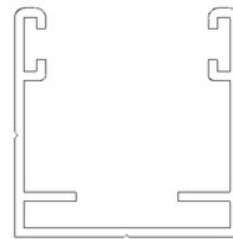
01-06200-2-3

System 43 Reinforced Pull-Bar Handle Profile 21 x 27mm



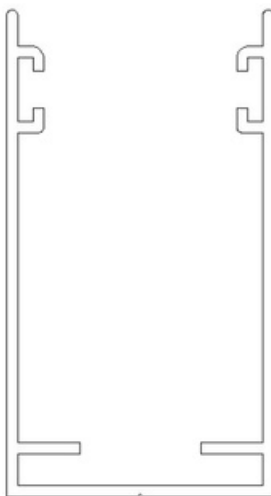
01-02011-2-3

Reinforced Bottom Guide 22 x 22mm



01-02000-2-3

Side Guide Channel 40 x 22mm



01-06140-2-3

Frontal/Side Profile with Magnets P/N - 22 x 24 13mm

