

S43-BOS Roll-Up Blackout Screen

Technical Specification Guide

Model S43-BOS

Min/Max Width 450 / 2200mm

Cassette Size (H x D) 57 x 43mm

Side Channel Size (W x D) 40 x 22mm

Min/Max Drop 350 / 1750mm

Features:

The Blackout roll-up screen provides room darkening, privacy and is ideal for bedrooms, schools, hospitals, offices or home cinema rooms. The Blackout roll-up window screen uses child safe spring control which ensures smooth operation and neatly retracts back into a cassette housing when not required. Durable powder coated aluminium cassette with brushed side channels. Suitable for inset recess or frontal face fitting applications. Standard flame-retardant, moisture resistant and wipe clean PVC fabric.

Benefits:

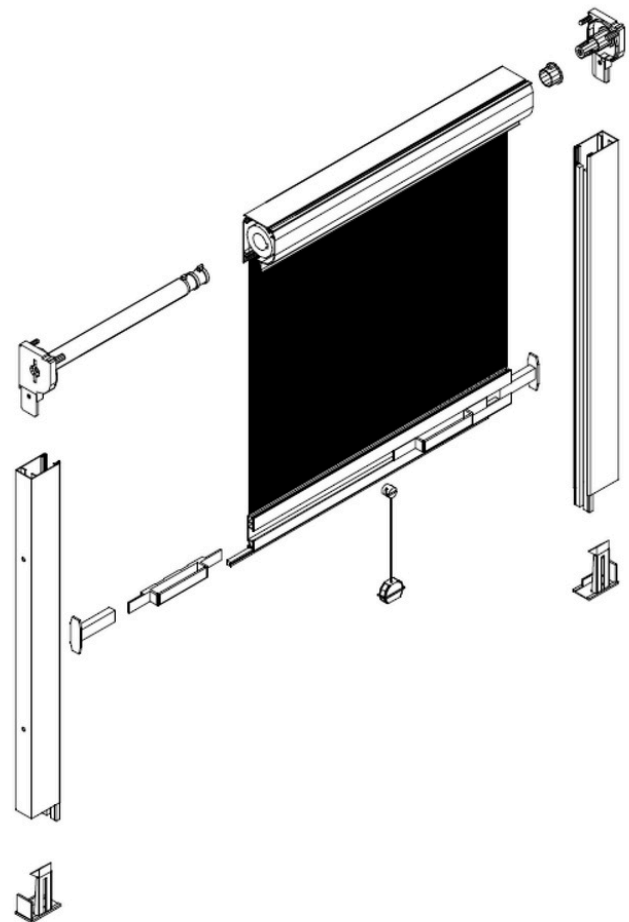
Attractive, stylish 43mm roll-up cassette housing compliments a wide range of residential & commercial interiors and suitable for most window types. Easy to use and child safe by design with no looped strings or cords. Closed cassette protects fabric from dust and other damage. Provides privacy and improves energy efficiency. Manufactured using high grade components ensuring trouble free consistent performance. Complete range of spares available. All screens prepped and pre-drilled for fast installation.

Specification:

S43-BOS closed cassette roll-up blind with 43mm housing and brushed 40mm side channels to prevent light seepage (goal post installation method). Fabric locked into barrel and pull-bar closing profile. Concealed hooked catches hold blind closed. Standard PVC handles or option of full-width reinforced handle to improve look & performance. Inset recess (5mm) or frontal (15mm) face fixing brackets. Standard flame-retardant, moisture resistant and wipe clean PVC fabric (75% PVC / 25% Fibreglass) - three fabric colour options available. Standard White RAL 9010 powder coated frame. Prevent wind damage by keeping windows closed when the blind is lowered.

Options (additional costs):

Blinds over 1600mm wide require full width reinforced handle and double spring (one each end). Stainless-steel spring option for coastal environments. Magnetic bottom channel available subject to width:height limitations. Hardware available in any custom RAL colour.



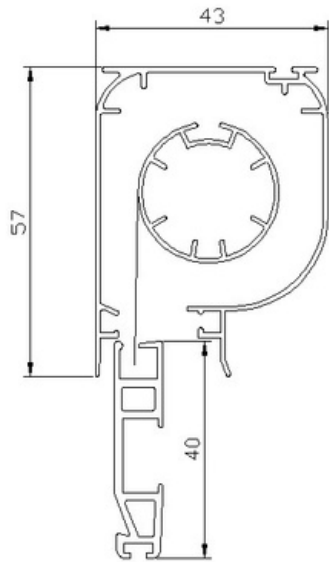
| Fabric Options | Maximum Height |
|----------------|----------------|
| White (20) | 1750mm |
| Champagne (21) | 1750mm |
| Grey (23) | 1750mm |



S43-BOS Roll-Up Blackout Screen Profiles & Sizes

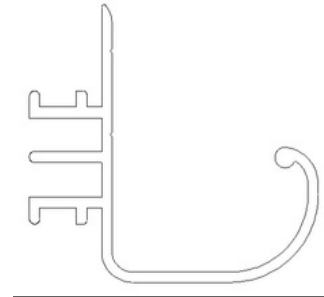
01-10260-2-3 / 01-10020-4-0 / 01-10010-2-3

System 43-G Cassette and Pull Bar Profile



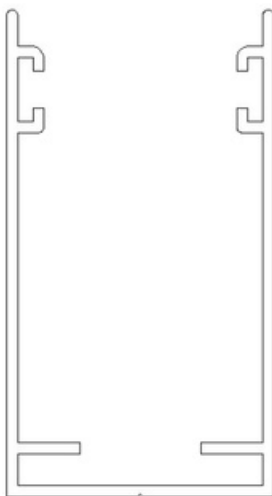
01-06200-2-3

System 43 Reinforced Pull-Bar Handle Profile 21 x 27mm



01-02000-2-3

Side Guide Channel 40 x 22mm



01-06140-2-3

Frontal/Side Profile with Magnets P/N - 22 x 24 13mm

