



S36-WS Roll-Up Window Screen

Technical Specification Guide

Model S36-WS

Min/Max Width 450 / 1600mm

Cassette Size (H x D) 43 x 36mm

Side Channel Size (W x D) 30 x 22mm

Min/Max Drop 350 / 1400mm

Features:

The vertical roll-up window screen includes child safe spring control with advanced speed reducer Brake ensuring smooth operation allowing screen to gently retract back into cassette housing to protect mesh. Durable powder coated aluminium cassette housing with brushed side channels. Concealed locking catches. Inset recess or frontal face fixing brackets. Standard flame-retardant rot-proof PVC coated Charcoal Fibreglass 18/16 mesh locked into barrel and pull-bar closing profile.

Benefits:

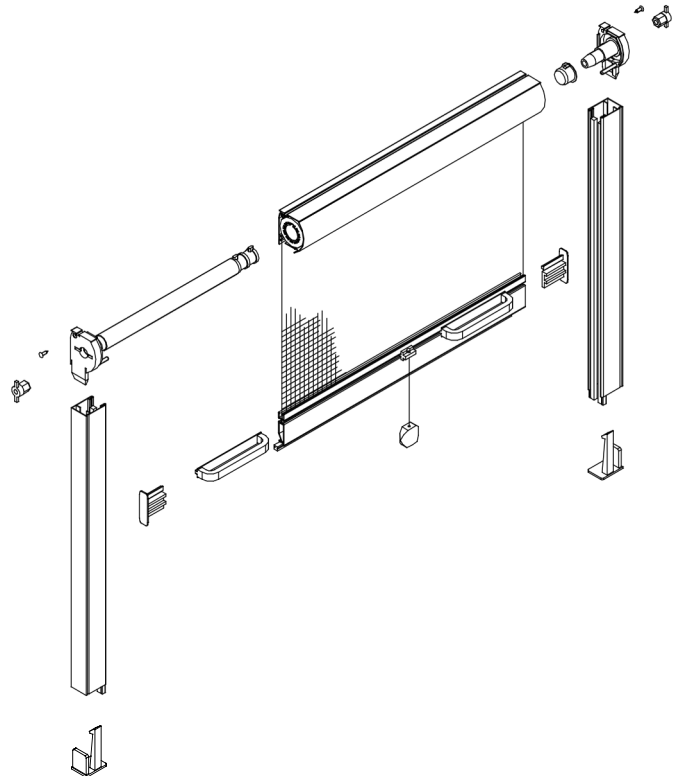
Eco-friendly and chemical-free way to provide protection against flying insects. The roll-up system also provides excellent fresh air ventilation, helps to reduce UV glare and will not obscure your view. Neatly retracts back into cassette housing to protect mesh when not required. Discreet, stylish low profile 36mm cassette housing will compliment a wide range of residential & commercial interiors. Suitable for most window types including casement & sash. Child safe design with no looped strings or cords. Easy to use, maintain and suitable for internal or external use. Manufactured using high grade components ensuring trouble free consistent performance. Complete range of spares available. All screens prepped and pre-drilled for fast installation.

Specification:

Model S36-WS retractable roll-up window insect screen with child safe spring control and advanced speed reducer Brake inside 36mm cassette housing. Standard PVC handles or option of full-width reinforced handle to improve look & performance. Standard 30mm brushed side channels. Inset recess (5mm) or frontal (15mm) face fixing brackets. Standard flame-retardant rot-proof PVC coated Fibreglass 18/16 Charcoal mesh. Standard White RAL 9010 powder coated frame. Full bespoke made-to-measure service.

Options (additional costs):

Screens over 1200mm wide recommended to have full width reinforced handle. Intermediate stops available (screen can be closed in two set positions). Stainless-steel spring for external or coastal environments. Magnetic bottom channel available subject to size restrictions. Hardware available in any custom RAL colour.



**All retractable screens designed for keeping out flying insects only.
Not suitable for use as pet protection screens for dogs or cats (regardless of mesh type).**

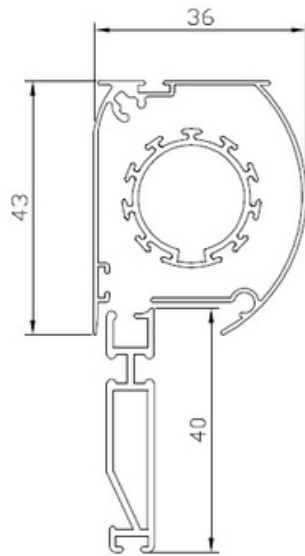




S36-WS Roll-Up Window Screen Profiles & Sizes

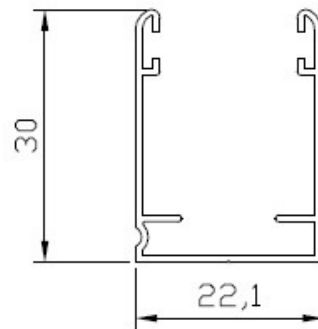
01-00590-2-3

System 36-N Cassette and Pull Bar Profile



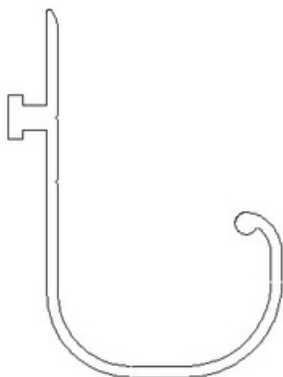
01-02050-2-3

Side Guide Channel 30 x 22mm



01-06190-2-3

System 36 Reinforced Pull-Bar Handle Profile - 21 x 33



01-06140-2-3

Frontal/Side Profile with Magnets P/N - 22 x 24 13mm

